

Use, Care and Installation Guide

Read all Instructions before installing and operating this appliance

Important Safety Notice

MODEL: AK2500, AK6500 series

READ AND SAVE THESE INSTRUCTIONS

WARNING

TO REDUCE THE RISK OF FIRE OR ELECTRIC SHOCK, DO NOT USE THIS FAN WITH ANY SOLID-STATE CONTROL DEVICE.

WARNING

TO REDUCE THE RISK OF FIRE ELECTRIC SHOCK, OR INJURY TO PERSONS, OBSERVE THE FOLLOWING:

- a. Use this unit only in the manner intended by the manufacturer, if you have questions, contact the manufacturer.
- b. Before servicing or cleaning unit, switch power off at service panel and lock panel to prevent power from being switched on accidentally. When the service disconnecting means cannot be locked, securely fasten a prominent warning device, such as a tag, to the service panel.

CAUTION

For general ventilating use only. Do not use to exhaust hazardous or explosive materials and vapors. Take care when using cleaning agents or detergents. Suitable for use in household cooking area.

WARNING

TO REDUCE THE RISK OF RANGE TOP GREASE FIRE:

- a. Never leave surface units unattended at high settings. Boilovers cause smoking and greasy spillovers that may ignite. Heat oils slowly on low or medium settings.
- b. Always turn hood ON when cooking at high heat or when flaming food
- c. Clean ventilating fans frequently. Grease should not be allowed to accumulate on fan or filter.
- d. Use proper pan size. Always use cookware appropriate for the size of the surface element.
- e. Keep fan, filters and grease laden surfaces clean.
- f. Use high setting on hood only when necessary.
- g. Don't leave hood unattended when cooking.
- h. Always use cookware and utensils appropriate for the type of and amount of food being prepared.

WARNING

TO REDUCE THE RISK OF INJURY TO PERSONS IN THE EVENT OF A RANGE TOP FIRE, OBSERVE THE FOLLOWING:

- a. SMOTHER FLAMES with a close-fitting lid, cookie sheet, or metal tray, then turn off the burner. BE CAREFUL TO PREVENT BURNS. If the flames do not go out immediately, EVACUATE AND CALL THE FIRE DEPARTMENT.
- b. NEVER PICK UP A FLAMING PAN – You may be burned.
- c. DO NOT USE WATER, including wet dishcloths or towels – a violent steam explosion will result.

Important Safety Notice

Read and save these instructions

MODEL: AK2500, AK6500 **series**

- d. Use an extinguisher ONLY if:
 1. You know you have a Class ABC extinguisher, and you already know how to operate it.
 2. The fire is small and contained in the area where it started.
 3. The fire department is being called.
 4. You can fight the fire with your back to an exit

WARNING

TO REDUCE THE RISK OF FIRE, ELECTRIC SHOCK OR INJURY TO PERSONS, OBSERVE THE FOLLOWING:

- a. Installation work and electrical wiring must be done by qualified person (s) in accordance with all applicable codes and standards. Including fire-rated construction.
- b. Sufficient air is needed for power combustion and exhausting of gases through the flue (chimney) of fuel burning equipment to prevent back drafting. Follow the heating equipment manufacturer's guideline and safety standards such as those published by the National Fire Protection Association (NFPA) and the American Society for Heating, Refrigeration and Air Conditioning Engineers (ASHRAE) and the local code authorities.
- c. When cutting or drilling into wall or ceiling, do not damage electrical wiring and other hidden utilities.
- d. Ducted fans must always vent to the outdoors.
- e. If this unit is to be installed over a tub or shower, it must be marked as appropriate for the application and be connected to a GFCL (Ground Fault Interrupter protected branch circuit).
- g. NEVER place a switch where it can be reached from a tub or shower.
- h. Make sure the power is off before installing, wiring or maintaining.

WARNING

TO REDUCE THE RISK OF FIRE, USE ONLY METAL DUCTWORK.

CAUTION

To reduce risk of fire and to properly exhaust air outside - Do not vent exhaust air into spaces within walls, ceilings, attics, crawl spaces or garages.

WARNING

TO REDUCE THE RISK OF SHOCK, THIS FAN MUST BE INSTALLED WITH AN ISOLATING WALL CONTROL/SWITCH.

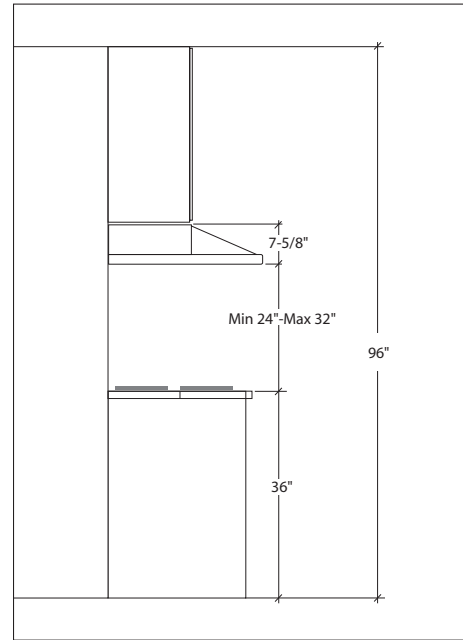
OPERATION

Always leave safety grills and filters in place. Without these components, operating blowers could catch onto hair, fingers and loose clothing.

***NOTE:** Please check www.zephyronline.com for revisions before doing any custom work.

INSTALLATION

MOUNT HEIGHTS



Minimum mount height between range top to hood bottom should be no less than 24".

Maximum mount height should be no higher than 32".

It is important to install the hood at the proper mounting height. Hoods mounted too low could result in heat damage and fire hazard; while hoods mounted too high will be hard to reach and will lose its performance and efficiency.

If available, also refer range manufacturer's height clearance requirements and recommended hood mounting height above range.

DUCTING

A minimum of 6" round or 3-1/4" x 10" rectangular duct must be used to maintain maximum air flow efficiency.

Always use rigid type metal ducts only. Flexible ducts could restrict air flow by up to 50%.

Also use calculation (on right) to compute total available duct run when using elbows, transitions and caps.

ALWAYS when possible, reduce the number or transitions and turns. If long duct run is required increase duct size from 6" to 7 or 8". If a reducer is used, install a long reducer instead of a panel reducer. Reduce duct size as far away from opening as possible.

If turns or transitions are required: Install as far away from opening and as far apart, between 2, as possible.

Minimum Duct Size:

Round:
6" minimum
Rectangular:
3-1/4" x 10"

Duct Run Calculation:

Maximum run

6" or 3-1/4" x 10" duct	100 FT
Deduct:	
each 90 Elbow used	15 FT
each 45 elbow used	9 FT
each 6" to 3/14 x 10" transition used	1 FT
each 3/14 x 10" to 6"	
each 3/14 x 10" to 6"	
transition used	5 FT
Side Wall Cap w/ damper	30 FT
Roof Cap	30 FT

e.g.- 1 roof cap, 2x90 elbows, 1 x 45 elbow used:
=30' + 30' + 9' =69' used, 31' available for straight duct runs.

INSTALLATION

DUCTING

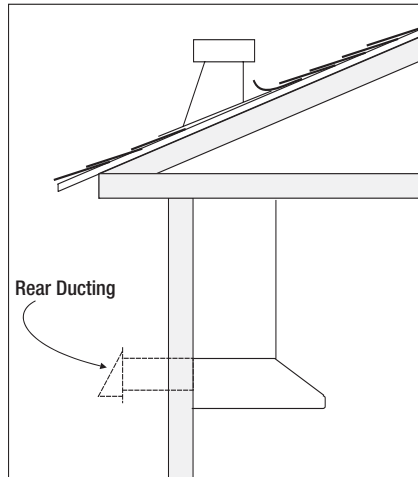
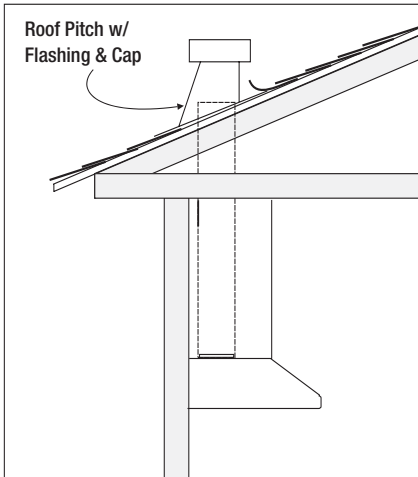
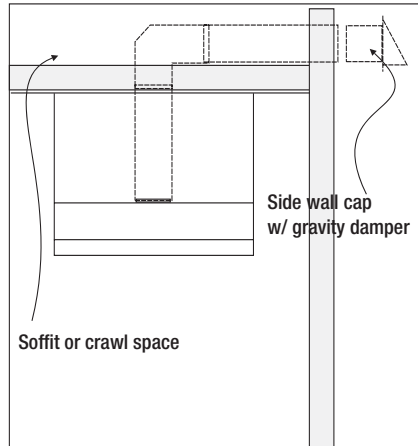
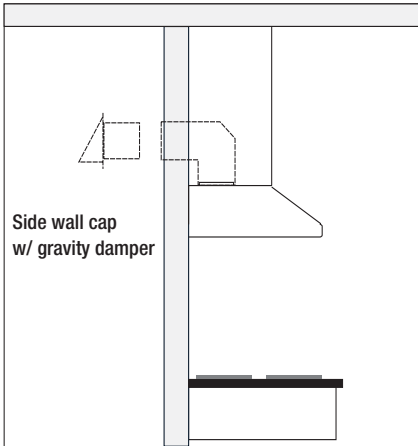
WARNING FIRE HAZARD

NEVER exhaust air or terminate duct work into spaces between walls, crawl spaces, ceiling, attics or garages. All exhaust must be ducted to the outside.

Use metal ductwork only.

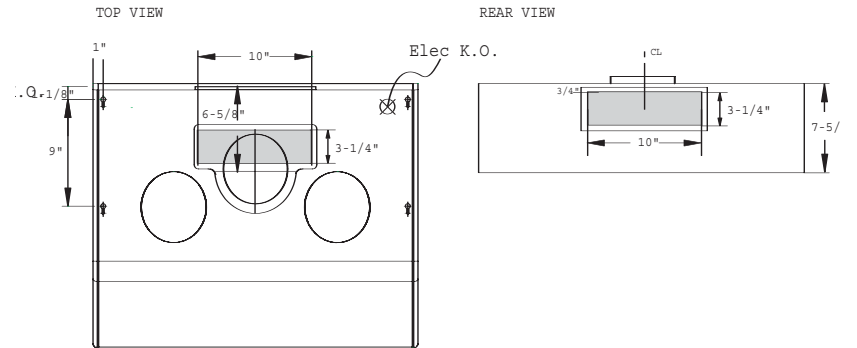
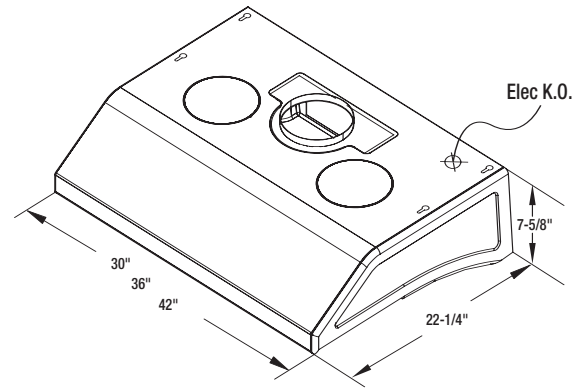
Fasten all connections with sheet metal screws and tape all joints w/ certified Silver Tape or Duct Tape.

Some Ducting Options:



INSTALLATION

SPECIFICATIONS



INSTALLATION

MOUNTING THE RANGEHOOD

ELECTRICAL

WARNING

All Electrical work must be performed by qualified electrician or person with similar technical know how and background.

For personal safety, remove house fuse or open circuit breaker before beginning installation. Do not use extension cord or adapter plug with this appliance.

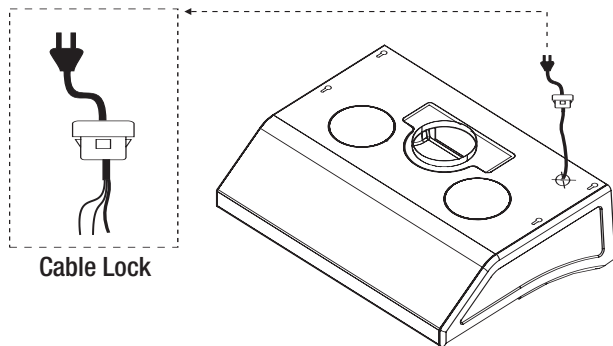
Follow National electrical codes or prevailing local codes and ordinances.

Electrical Supply:

This appliance requires a 120V 60Hz electrical supply, and connected to an individual, properly grounded branch circuit, protected by a 15 or 20 ampere circuit breaker or time delay fuse. Wiring must be 2 wire w/ ground. Please also refer Electrical Diagram labeled on product.

Cable Lock:

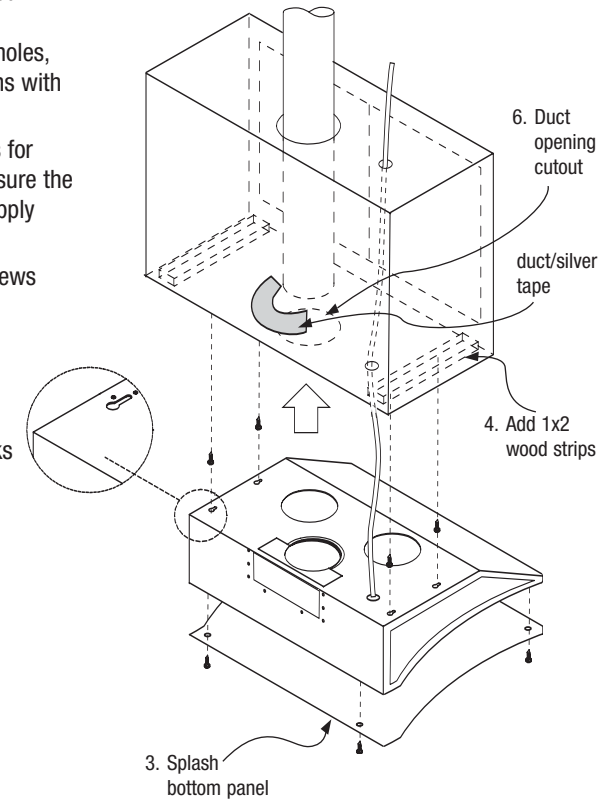
A cable locking connector (not supplied) might also be required by local codes. Check with local requirements and codes, purchase and install appropriate connector if necessary.



INSTALLATION

MOUNTING THE RANGEHOOD

1. This range hood is mounted under a kitchen cabinet unit.
2. Select preferred duct location on rear or top of unit. (See page 6 & 7 for ducting conversion options)
3. Begin installation by temporarily unscrewing and removing the bottom splash panel.
4. Reinforce cabinet base with 1x2 wood strips if additional strengthening is required.
5. Temporarily position the range hood in the desired mounting location. Measure and mark the mounting holes, duct and electrical access locations with a pencil.
6. Drill/cut out the required openings for duct and electrical access; make sure the duct opening is large enough to apply duct tape.
7. Fasten hood onto cabinet with screws and washers provided.
8. Install electrical.
9. Install duct work and duct-tape.
10. Reinstall the bottom splash panel.
11. Power up hood and check for leaks around duct-tape.



INSTALLATION

CONVERTIBLE OPTIONS

This range hood is equipped with the option of a 6" vertical discharge, 3 1/4"x10" vertical discharge, 3 1/4"x10" Rear Discharge or 3 1/4"x10" rear discharge. Additional accessories are provided to convert to either of the above discharge methods.

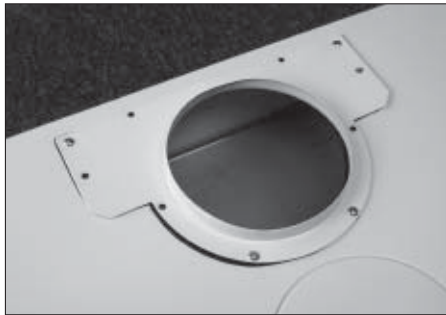
Convertible Options

Vertical discharge	6" round
Vertical discharge	3 1/4"x10"
Horizontal rear discharge	3 1/4"x10"

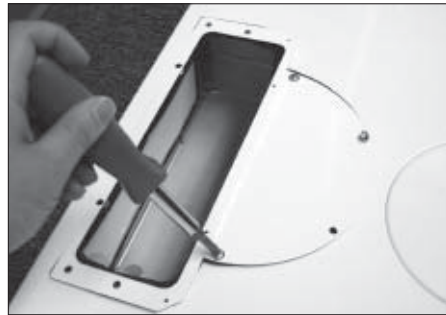
Convertible Accessories

Round transition adapter
Rectangular transition adapter
Rectangular rear cap (pre-mounted)
3 1/4"x10" starting collar

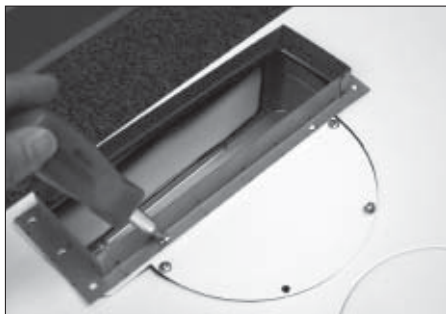
3 1/4"x10" Vertical Discharge



1. Remove pre-mounted 6" transition adapter or duct opening.



2. Place rectangular transition adapter as shown by first installing 4 screws on half round section.



3. Mount the 3-1/4"x10" starting collar on top of transition piece with remaining screws.

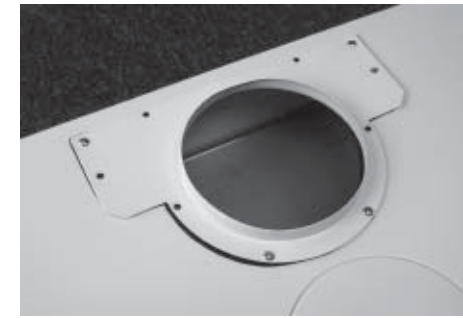
INSTALLATION

CONVERTIBLE OPTIONS

3 1/4"x10" Rear Discharge



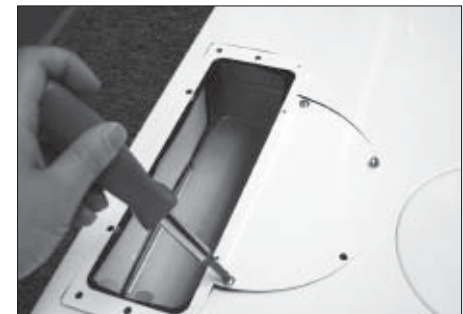
1. At rear of range hood, remove all screws on pre-mounted rear rectangular cap and remove plate.



2. Remove top pre-mounted transition piece.



3. Remove 2 air diverter blocks through top opening as shown.



4. Mount rectangular transition piece to top opening as shown.



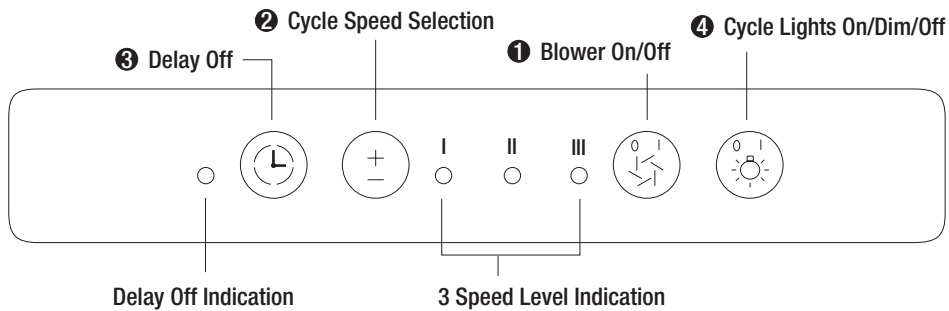
5. Mount rectangular plate (previously removed) on top of transition adapter.









6. Mount starting collar (provided) at rear discharge.

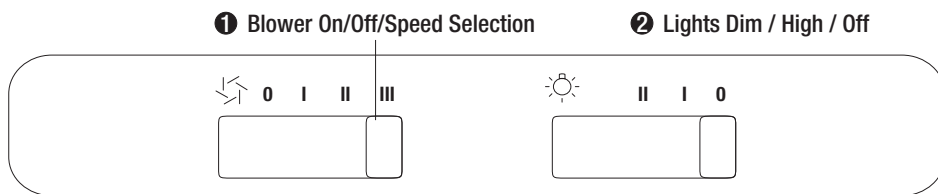
CONTROLS & FEATURES

CONTROLS & FEATURES (Models AK2500, AK2536)



- 1 Blower On/Off**
By pressing , the blower is turned On and Off.
- 2 Cycle Speed Selection**
Cycle through 3 speed levels by pressing , the display indicates level selected.
- 3 Delay Off**
This switch is used for programmed shut down of blower and lights 5 minutes after the function is activated. Press  once, the flashing indicator to the left indicates the function is on. The hood will completely shut down in 5 minutes.
- 4 Cycle Lights On/Dim/Off**
Switch lights On  by selecting this switch. To Dim lights, activate  again. Selecting  one more time, will turn lights Off

CONTROLS & FEATURES (Models AK6500, AK6536, AK6542)



- 1 Blower On/Off/Speed Selection**
This switch turns the blower on and off and controls the speed selection. **0** is off, **I** is low speed, **II** is medium speed and **III** is high speed.
- 2 Lights On / Dim / Off**
I to turn lights on high, **II** to dim lights and **0** to turn lights off.

CLEANING AND MAINTENANCE

SELF CLEAN FEATURE

Using Self Cleaning:



WARNING: Use only non-corrosive & non-abrasive grease cutting detergents.
DO NOT USE OVEN CLEANERS.

Models AK6500, AK6536, AK6542, AK2500, AK2536 hoods are designed with a self cleaning feature. The centrifugal blower system automatically liquefies cooking residue accumulated in its internal housing, and deposits the residue in the cleaning cup. Nevertheless, grease from cooking can also dry and adhere in the internal housing. Running the self clean function periodically will flush out accumulated residue in the range hood's internal housing.

Cleaning Frequency:

Cleaning should be completed approximately once a month under normal use.

Detergent:

Non-corrosive, non-abrasive grease cutting spray detergents are recommended.

Self Clean:

Turn blower on lowest speed for cleaning.

With nozzle on 'spray', squirt the grease cutting detergent through the safety grill, directly onto blower blades 10-15 times.

Allow self cleaning to complete for 5 minutes, turn blower off.

Remove cleaning cup. Clean w/ mild detergent or in dishwasher under normal wash cycle.

(If desired, repeat above steps with water to rinse out detergent)



MAINTENANCE

LIGHTS

Replacing Light Bulbs

CAUTION: Light bulb becomes extremely hot when turned on. DO NOT touch bulb until switched off and cooled. Touching hot bulbs could cause serious burns.

Make sure all power is turned off and bulbs are not hot.

Remove by turning bulb counter clockwise.

If bulbs are difficult to turn due to prolonged use, firmly attach a glass suction cup approx. the diameter of the bulb and turn.

Replacement bulbs are available at specialty lighting stores.

AK6500, 6536, 6542

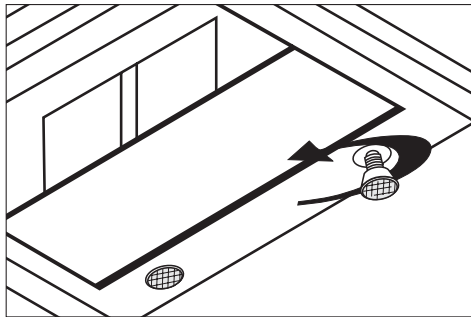
Purchase type: 4OR 14 mini flood light bulbs

AK2500, 2536

Purchase type: GU 10 halogen bulbs

Or to order bulbs, please call our service center: 888-880-8368 or online parts store:

www.zephyronline.com



WARRANTY

TO OBTAIN SERVICE UNDER WARRANTY:
You must present proof of original purchase date.
Please keep a copy of your dated proof of purchase (sales slip)
in order to obtain service under warranty.

One Year Service Repair Warranty:

For one year from date of original purchase, we will provide free of charge, service labor to repair any failed parts or components due to manufacturing defects.

Ten Years Parts/Lifetime Motor Warranty:

For ten years from date of original purchase, we will provide free of charge, nonconsumable replacement parts or components that failed due to manufacturing defects.

Consumable parts not covered by this warranty include: Light Bulbs, Metal and Carbon Filters.

The motor will have lifetime warranty replacement if it fails due to manufacturing defects.

Who is Covered:

This warranty is extended to the original purchaser for products purchased for ordinary home use in the 48 mainland states, Hawaii and Washington D.C.

In Canada and Alaska, this warranty is Limited. There might be costs associated with shipping the products to our designated service locations or you might need to pay service technician's travel costs, to have the appliance repaired in-home.

This Warranty will be Voided when:

Product damaged through negligence, misuse, abuse, accident.

Improper installation and failure to follow installation instructions. When product is used commercially or other than its intended purpose.

Damaged because of improper connection with equipment of other manufacturers.

Repaired or modified by anyone other than Zephyr's Authorized Agents.

What is Not Covered:

Consumable parts such as light bulbs, filters, and fuses.

Services outside of service area and the labor cost incurred in connection with the removal, shipping and reinstallation cost, nor does it cover any other contingent expenses.

The natural wear of finish, and wear due to improper maintenance, use of corrosive and abrasive cleaning products, pads, and oven cleaner products.

Chips, dents or cracks due to abuse, misuse, freight damage, or improper installation.

Service trips to your home to teach you how to use the product.

Damage of product caused by accident, fire, floods or act of God.

This warranty is valid in the United States and Canada. It is non-transferable and applies only to the original purchaser and does not extend to subsequent owners of this product. Any applicable implied warranties, including the warranty of merchantability, are limited in duration to a period of express warranty as provided herein beginning with the date of original purchase at retail and, no warranties, whether express or implied, shall apply to this product thereafter.

TO OBTAIN SERVICE UNDER WARRANTY
or any Service Related Questions, please call:

1-888-880-8368

Have your product proof of purchase with date ready for warranty issues.

Or write to:

Zephyr Corporation
Service and Warranty Department
395 Mendell Street
San Francisco, CA 94124